

# QO-2408x-WLU-10

Quasi-Omni Multiband 4X4 MIMO C-RAN/Small Cell Antenna



## Product Description

Operating Frequency Bands	4x 1695-2360, 4x 3550-3700, 2x 5150-5925 MHz
Antenna Type	Small Cell
Band	Multiband

## Electrical Specifications

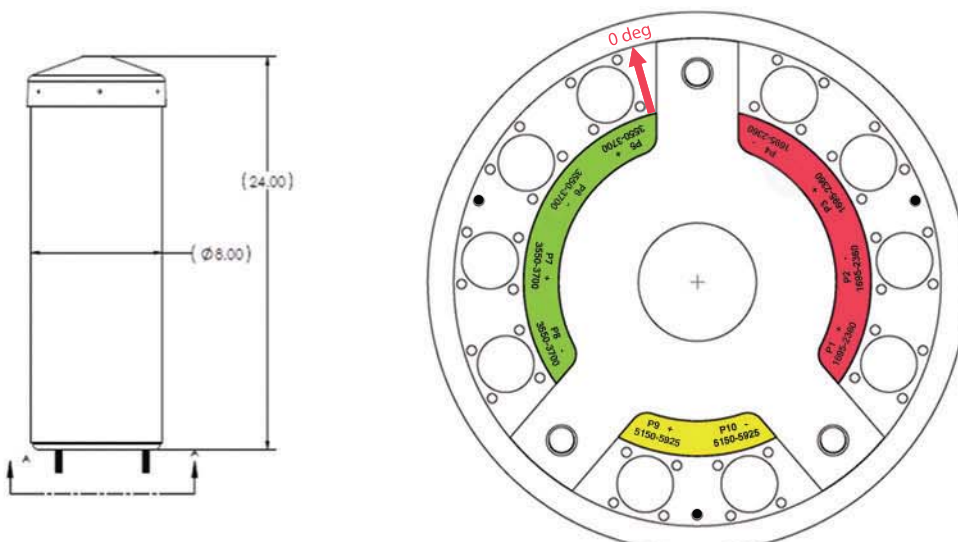
Frequency Band, MHz	1695-1880	1850-1990	1920-2200	2300-2360	3550-3700	5150-5925
Gain, dBi	3.5	3.6	3.6	3.7	4.3	4.4
Horizontal Beamwidth, degrees	360	360	360	360	360	360
Vertical Beamwidth, degrees	55	54	54	53	48	47
Azimuth Ripple (Typ.), dB	+/- 2dB	+/- 2dB	+/- 2dB	+/- 2dB	+/- 3dB	+/- 4dB
Beam Tilt, degrees	0	0	0	0	0	0
Polarization, degrees	+45/-45	+45/-45	+45/-45	+45/-45	+45/-45	+45/-45
PIM , 3rd Order, (2X20 W), dBc	<-153	<-153	<-153	<-153	N/A	N/A
VSWR, (typ/max)	1.5:1	1.5:1	1.5:1	1.5:1	1.5:1	2.0:1
Isolation, Intersystem, dB	30	30	30	30	30	30
Isolation, Intrasystem, dB	22	22	22	22	30	21
Impedance, Ohm	50	50	50	50	50	50
Input Power Per Port (Max), Watt	150	150	150	100	100	20

## Mechanical & Environmental Specifications

Dimensions, (Height x Diameter), in	24x8
RF Connector	10 x 4.3-10 (F); (7-16 DIN available)
Mounting	Top mount (Mounts over 3.0" OD post); (Side mount (Mounts to 1 3/4" - 3" OD post) available)
Weight, lbs	12
Radome Material	ABS
Color	Brown Standard (Color Options Available)
Wind Survival, mph	150
Lightning Protection	Direct Ground



BOTTOM VIEW OF BASE



Note<sub>1</sub>: FCC Title 47 part 15 for fixed outdoor point to multi-point. EIRP should be less than 21 dBm for all elevation angles 30 degree above Horizon.  
Note<sub>2</sub>: Other fixed tilts are available.

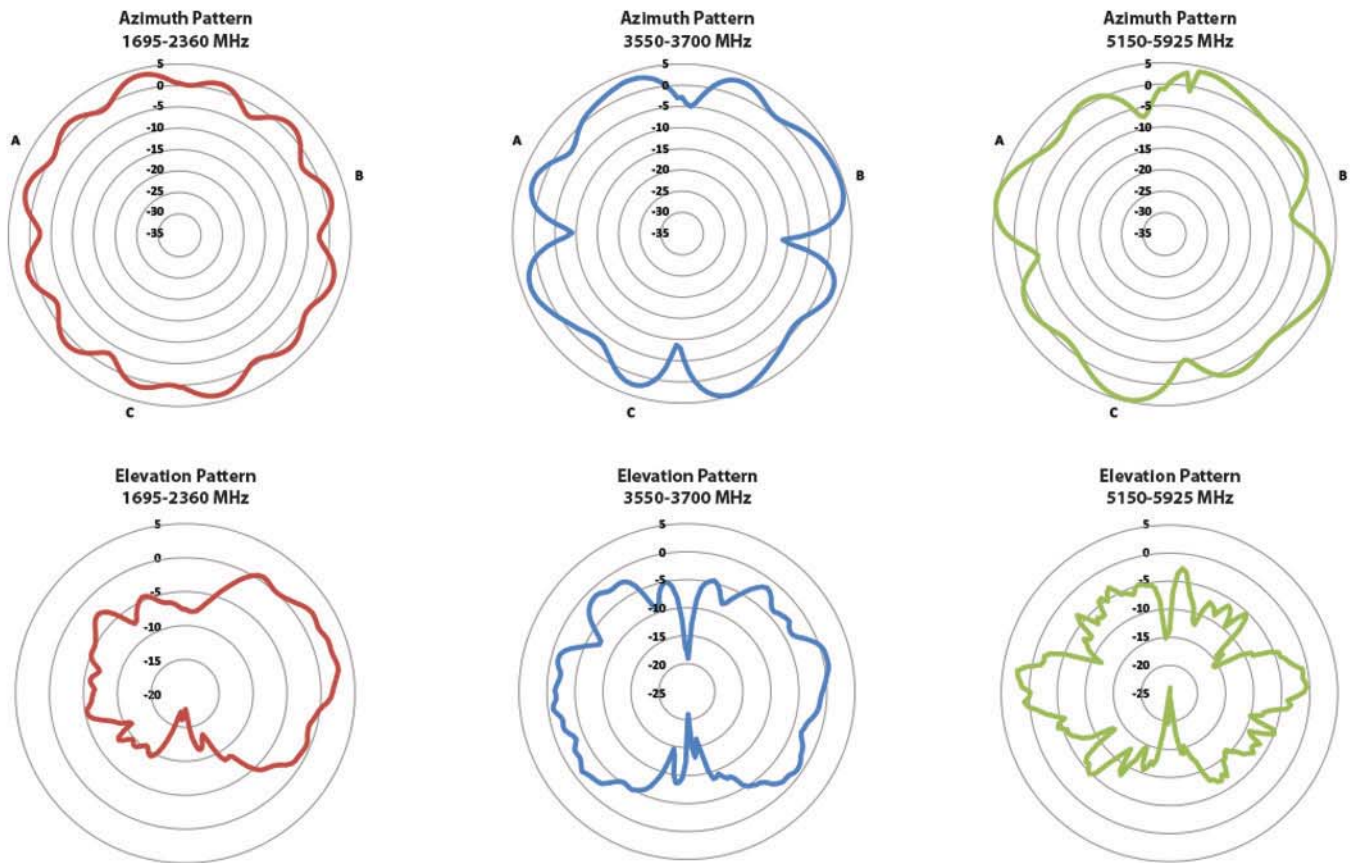
Quoted performance parameters are provided to offer typical, peak or range values only and may vary as a result of normal testing, manufacturing and operational conditions. Extreme operational conditions and/or stress on structural supports may result in damage to this product. Phazar may make improvements to products without notice.

# QO-2408x-WLU-10

Quasi-Omni Multiband 4X4 MIMO C-RAN/Small Cell Antenna



## Patterns



Note<sub>1</sub>: FCC Title 47 part 15 for fixed outdoor point to multi-point. EIRP should be less than 21dBm for all elevation angles 30 degree above Horizon.  
Note<sub>2</sub>: Other fixed tilts are available.

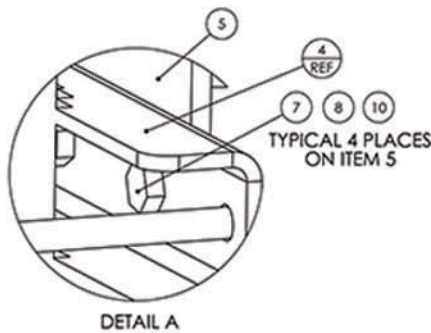
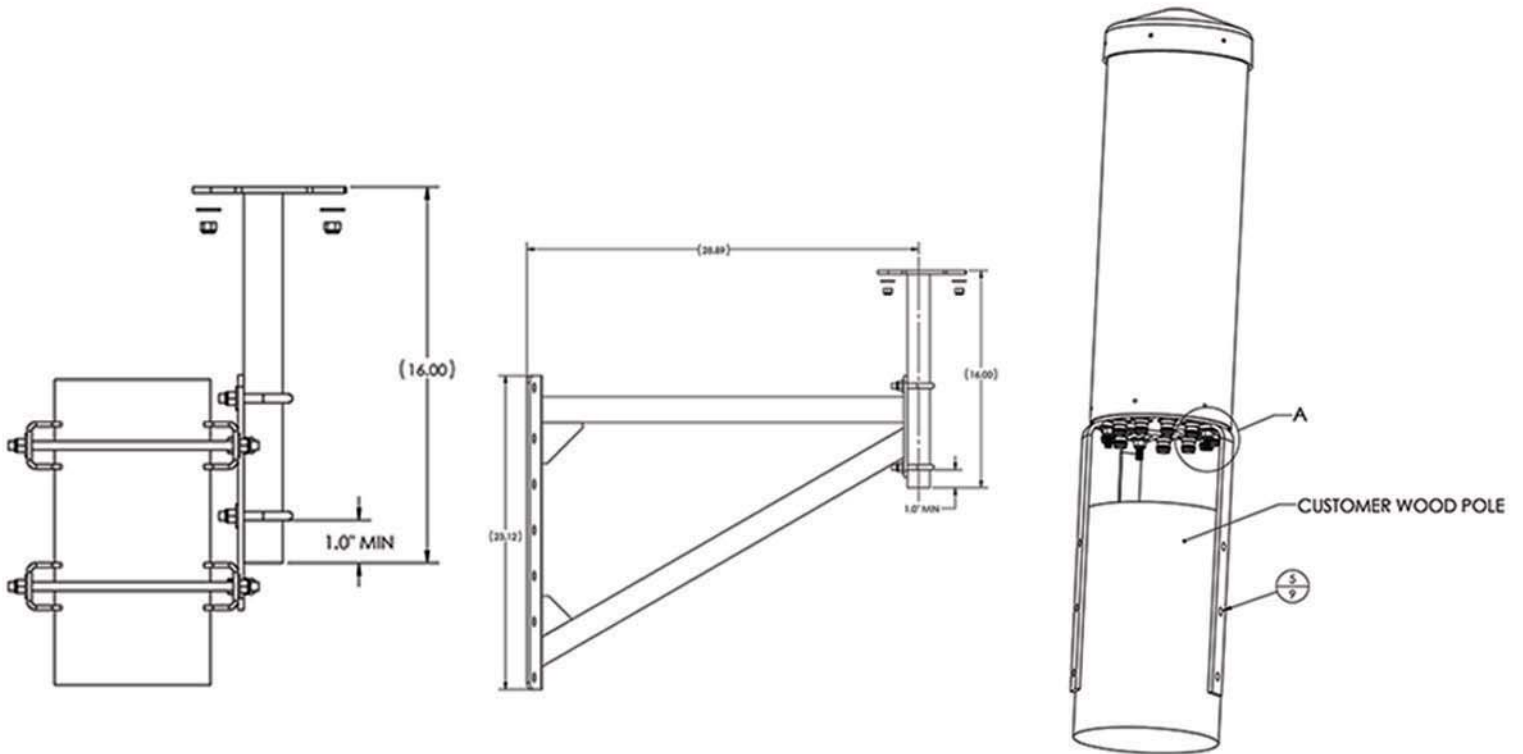
Quoted performance parameters are provided to offer typical, peak or range values only and may vary as a result of normal testing, manufacturing and operational conditions. Extreme operational conditions and/or stress on structural supports may result in damage to this product. Phazar may make improvements to products without notice.

# QO-2408x-WLU-10

Quasi-Omni Multiband 4X4 MIMO C-RAN/Small Cell Antenna



## Mounting Solutions



QTY	ITEM NO.	PART OR IDENTIFYING NO.	NOMENCLATURE OR DESCRIPTION
15	12	2100-2244-001	NUT, 3/8-16, FIBERLOCK, SST
3	11	2310-0416-001	WASHER, FLAT, 3/8, SST
4	10	2100-0123-001	NUT, 3/8-16, GALV
12	9	2310-0700-014	WASHER, FLAT, 3/8, GALV
4	8	2300-0153-001	WASHER, LOCK, 3/8, GALV
4	7	2077-6906-001	BOLT, 3/8-16 X 1, GALV
2	6	2450-0173-001	U-BOLT, 3/8-16, GALV
1	5	0009-3877-20X	PLATE
4	4	0009-3875-40X	BRACKET
4	3	0009-3876-201	ROD
1	2	0009-3871-40X	MOUNT WELDMENT
1	1	-301	INSTALLATION, MOUNT ITEMS, TOP, M

UNLESS OTHERWISE SPECIFIED DIMENSIONS ARE IN INCHES AND TOLERANCES ARE:				CONTRACT NO.		ANTENNA PRODUCTS CORPORATION MINERAL WELLS, TEXAS 76067	
FRACTIONS	DECIMALS	ANGLES		APPROVALS	DATE	TITLE	
$\pm 1/32$	$\pm 0.005$	$\pm 1/2$ DEG		DRAWN	SD	4-3-17	
DO NOT SCALE DRAWING				CHECKED	-	-	
MATERIAL	BLANK SIZE	REF ONLY		ENGR	SD	4-3-17	
-301	0009-3879-20X	QO-2408X		DESIGN ACTIVITY	-	-	
DASH NO.	NEXT ASSY	USED ON		SCALE: NONE	WEIGHT: -	SHEET 1 OF 1	
APPLICATION				SOLIDWORKS		0980-0555	

Note<sub>1</sub>: FCC Title 47 part 15 for fixed outdoor point to multi-point. EIRP should be less than 21dBm for all elevation angles 30 degree above Horizon.  
 Note<sub>2</sub>: Other fixed tilts are available.

Quoted performance parameters are provided to offer typical, peak or range values only and may vary as a result of normal testing, manufacturing and operational conditions. Extreme operational conditions and/or stress on structural supports may result in damage to this product. Phazar may make improvements to products without notice.

# QO-2408x-WLU-10

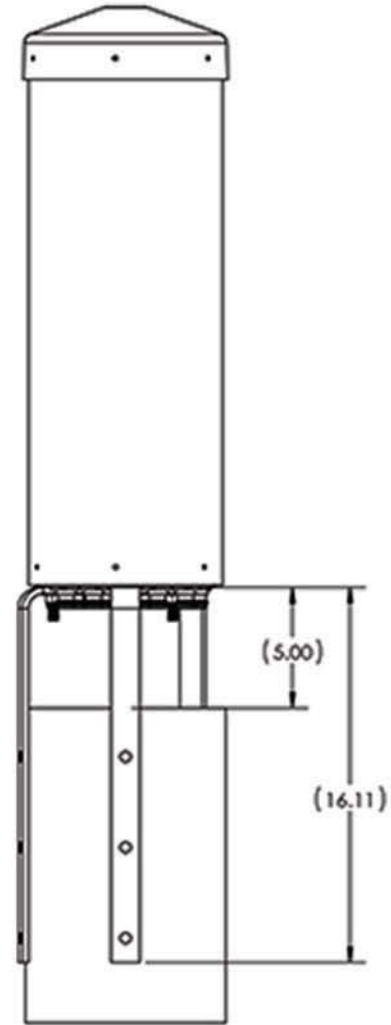
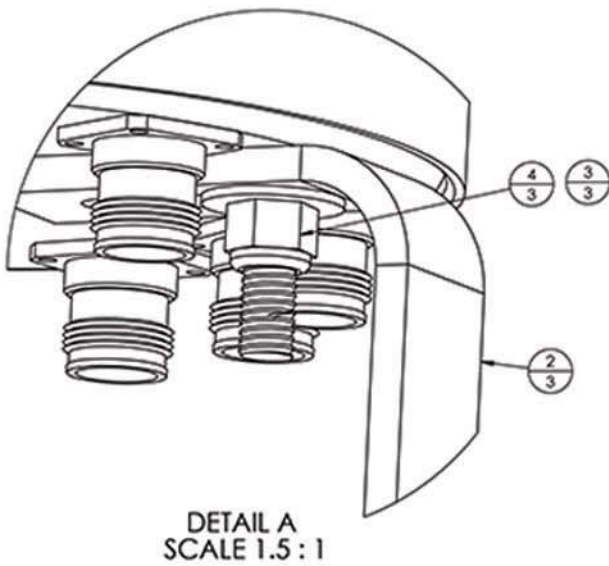
Quasi-Omni Multiband 4X4 MIMO C-RAN/Small Cell Antenna



## Installation

### INSTALLATION NOTES:

1.
  - STEP 1. BOLT BRACKET, ITEM 2, ONTO ANTENNA MOUNT STUDS, 3X. USING ITEMS 3 AND 4. LEAVE LOOSE.
  - STEP 2. POSITION BRACKETS ONTO WOOD POLE AND LAG BOLT TO POLE.
  - STEP 3. TIGHTEN BRACKET ONTO ANTENNA STUDS, 3X.
2. ESTIMATED MOUNT ITEMS WEIGHT 3 LBS.



QTY	ITEM REQD NO.	PART OR IDENTIFYING NO.	NOMENCLATURE OR DESCRIPTION
9	5	8910-6735-008	BOLT, LAG, 3/8-16 X 4, GALV
3	4	2100-2244-001	NUT, 3/8-16, FIBERLOCK, SST
3	3	2310-0416-001	WASHER, FLAT, 3/8, SST
3	2	0009-3909-40X	BRACKET
1	-301		INSTALLATION, MOUNT ITEMS, TOP, W

UNLESS OTHERWISE SPECIFIED DIMENSIONS ARE IN INCHES AND TOLERANCES ARE:			CONTRACT NO.		ANTENNA PRODUCTS CORPORATION MINERAL WELLS, TEXAS 76067	
FRACTIONS	DECIMALS	ANGLES	APPROVALS	DATE	TITLE	
± 1/32	.XX ± .005	± 1/2 DEG	DRAWN	SD	4-3-17	INSTALLATION MOUNT ITEMS, TOP, W
DO NOT SCALE DRAWING			CHECKED	-	-	
MATERIAL	BLANK SIZE	REF ONLY	ENGR	SD	4-3-17	
FINISH			DESIGN ACTIVITY	-	-	
APPLICATION			SOLIDWORKS		SIZE	REV
-301	0009-3910-20X	QO-2408X	SCALE: NONE		CAGE CODE	0980-0557
			WEIGHT: -		DWG. NO.	0980-0557
			SHEET 1 OF 1			

Note<sub>1</sub>: FCC Title 47 part 15 for fixed outdoor point to multi-point. EIRP should be less than 21dBm for all elevation angles 30 degree above Horizon.  
 Note<sub>2</sub>: Other fixed tilts are available.

Quoted performance parameters are provided to offer typical, peak or range values only and may vary as a result of normal testing, manufacturing and operational conditions. Extreme operational conditions and/or stress on structural supports may result in damage to this product. Phazar may make improvements to products without notice.

# QO-2408x-WLU-10

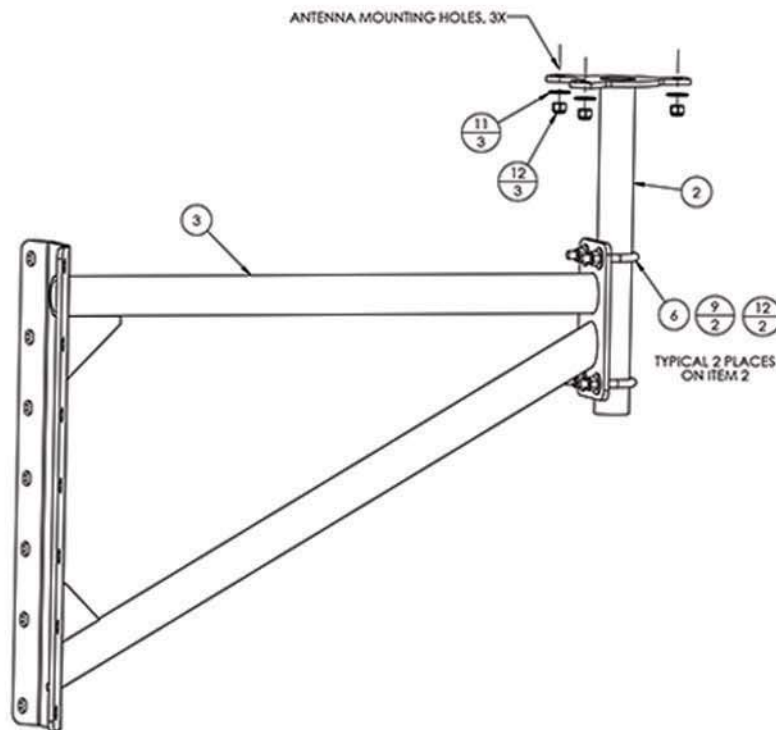
Quasi-Omni Multiband 4X4 MIMO C-RAN/Small Cell Antenna



## Installation

### INSTALLATION NOTES:

1.
  - STEP 1. LAG BOLT (3/8-16 X 4) WITH FLAT WASHER ITEM 9, MOUNT WELDMENT, ITEM 3, TO CUSTOMER WOOD POLE.
  - STEP 2. CLAMP MOUNT WELDMENT, ITEM 2, ONTO PLATE USING ITEMS 6, 9 AND 12. TYPICAL 2 PLACES. DO NOT OVERTIGHTEN.
  - STEP 3. BOLT ANTENNA MOUNT STUDS, 3X, ONTO TOP OF MOUNT WELDMENT USING ITEMS 11 AND 12. DO NOT OVERTIGHTEN.
2. ESTIMATED MOUNT ITEMS WEIGHT 11 LBS



QTY	ITEM REGD NO.	PART OR IDENTIFYING NO.	NOMENCLATURE OR DESCRIPTION
10	13	8910-6735-008	BOLT, LAG, 3/8-16 X 4", GALV
7	12	2100-2244-001	NUT, 3/8-16, FIBERLOC, SST
3	11	2310-0416-001	WASHER, FLAT, 3/8, SST
14	9	2310-0700-014	WASHER, FLAT, 3/8, GALV
2	6	2450-0173-001	U-BOLT, 3/8-16, GALV
-	5	-	-
-	4	-	-
1	3	0009-3919-40X	MOUNT WELDMENT
1	2	0009-3871-40X	MOUNT WELDMENT
1	1	-301	INSTALLATION, MOUNT ITEMS, SIDE

UNLESS OTHERWISE SPECIFIED DIMENSIONS ARE IN INCHES AND TOLERANCES ARE:			CONTRACT NO.		ANTENNA PRODUCTS CORPORATION MINERAL WELLS, TEXAS 76067	
FRACTIONS	DECIMALS	ANGLES	APPROVALS	DATE	TITLE	
± 1/32	± .005	± 1/2 DEG	DRAWN	3-13-17	INSTALLATION MOUNT ITEMS, SIDE	
± .005	± .005	± 1/2 DEG	CHECKED	-	REV	
± .005	± .005	± 1/2 DEG	ENGR	3-13-17	SIZE	0980-0558
DO NOT SCALE DRAWING			DESIGN ACTIVITY	-	CAGE CODE	06032
BLANK SIZE	REP ONLY	FRESH	SOLIDWORKS	-	DWG. NO.	0980-0558
-301	0009-3880-20X	QO-2408X	SCALE: NONE	WEIGHT: -	SHEET 1 OF 1	
DASH NO.	NEXT ASSY	USED ON				
APPLICATION						

Note<sub>1</sub>: FCC Title 47 part 15 for fixed outdoor point to multi-point. EIRP should be less than 21dBm for all elevation angles 30 degree above Horizon.  
 Note<sub>2</sub>: Other fixed tilts are available.

Quoted performance parameters are provided to offer typical, peak or range values only and may vary as a result of normal testing, manufacturing and operational conditions. Extreme operational conditions and/or stress on structural supports may result in damage to this product. Phazar may make improvements to products without notice.